



## 4 CH GPS DVR

Vehicle Surveillance



NEW 2012 MAY. V1.0

### CDR-E10 CDR-E10-3GA (3G Module)

- Max. up to 4 CH vehicle cameras, can take record for inside and outside the vehicle.
- Video output for live view, playback with monitor.
- H.264 Compression format.
- Recording format : D1 and CIF.
- Build-in single channel microphone.
- Quick Search Overall Event Log.
- The full recording time and date can be showing in the monitor directly.
- Auto-Record after memory card Plug-in and Power Supplied.
- Data Store in SD card for better safety and anti-vibration performance.
- 4 sets of alarm input ports, built-in buzzer.
- Support Record Video with audio, video, G-sensor and GPS data at the same time.
- Optional for 3G module, control the driving status and data at any time. (CDR-E10-3GA)

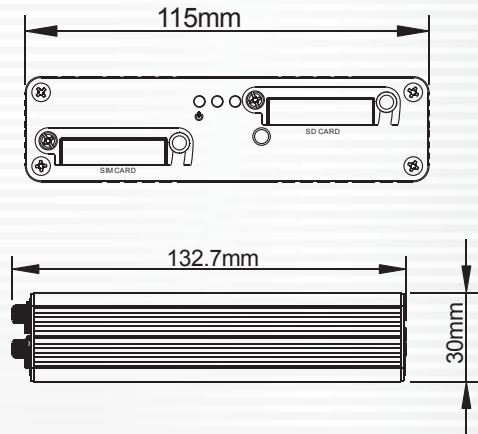


# CDR-E10 / CDR-E10-3GA

4CH GPS DVR Vehicle Surveillance



## Product Dimension



## Player Viewer

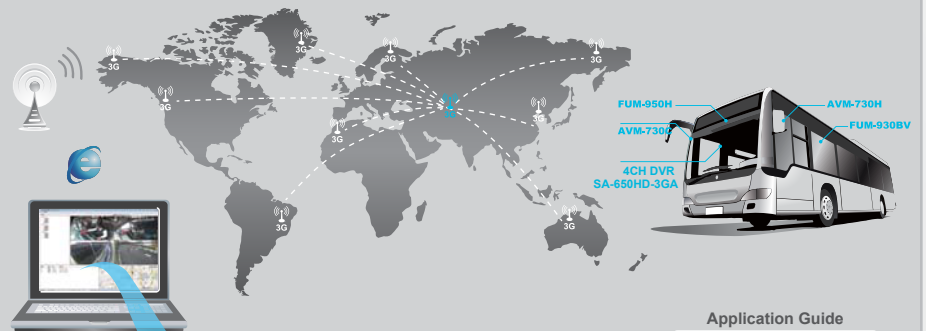


## Specifications

		NTSC	PAL
Video Format		NTSC / PAL	
Video Input		4CH Input	
Audio Input		1CH Input	
Video Output		1CH output	
Audio Output		1CH output	
Alarm Input		4 alarm input	
Alarm Output		Buzzer	
Display Mode		Full Screen, 4 Split	
Record Resolution	Highest	D1 720 x 480	D1 720 x 576
	Normal	CIF 360 x 240	CIF 360 x 288
Recording Frame		Max. 120 FPS	Max. 100 FPS
Compression Format		H.264 Technology	
Operating System		Embedded Linux	
Single-tasking		Record / Backup	
Recording Mode		Full-time recording	
Led Indicator		Power, recording, GPIO	
Buzzer		Video Loss	
Storage		SD Card	
Back-up System		CarBox Player	
Firmware Upgrade		SD Card	
Multi-language		English /Simplified Chinese /Traditional Chinese	
G-sensor		Yes	
3G-Module		Optional (USB 3G dongle or build-in 3G module)	
GPS Position		Optional	
Control Method		IR remote controller	
Power Supply		DC+12V / 500mA (not including Cameras)	
Dimension		115mm x 132.7mm x 30mm (W x D x H)	
Weight		0.4kg (including SD card)	
Operation Temperature		-20°C~ +65°C (inside vehicle)	
Accessories	Standard	Main Machine, 3 Pin Power Cable, Alarm Cable, 3M Extending IR Lead, Remote Control, Microphone, Driver CD, Quick Guide	
	Optional	★.Build-in 3G: Antenna, 1.5M Extension Antenna Cord 3G Module, G-Mouse, SD Card	

Version updating is not going to inform, please check the on-going updating information

## Vehicle Tracking Management System



### 3G operating management system



### Application Guide



■ DISTRIBUTED BY

**EDDY WIRELESS®**  
sales@eddywireless.com